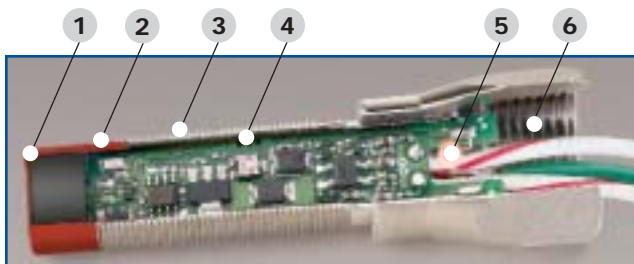


The solid state Hawkeye sensor is ideal for point sensing in corrosive and hazardous process environments. The standard Red/Green LEDs also speed your setup and installation by confirming power up and switch status. The Hawkeye is FM and CSA approved for nonincendive applications and intrinsically safe circuits in hazardous areas.



Linear Applications

Each pair (red and green) of Hawkeye sensors is tuned to operate independently in either long stroke or short stroke applications down to 6mm (1/4 inch). The Hawkeye may be triggered by existing valve hardware eliminating costly magnets and triggering systems and cutting installation time.

1. Lexan® Sensing Head Triggers on Any Metal

Inductive sensing technology detects metal targets at distances up to 4mm.

2. Stainless Steel Body is Rugged and Corrosion Proof

Hawkeye sensors are machined from a solid block of 316 stainless steel.

3. Stainless Steel Lock Washers and Fasteners Secure Hawkeye Permanently to Mount

Adaptor brackets are available in L or straight.

4. Circuit is Coated in Silicon and Potted in Epoxy

Hawkeye sensor may be fully submersed and is shock and vibration tolerant.

5. High Intensity LED Brightly Displays Switch Status

Red and green LEDs may be selected to indicate open or closed status.

6. 1/2" Conduit Entry or Mini-Connector Available

Choose from a direct conduit entry for hazardous areas or a plug-in miniconnector for rapid attachment in general purpose environments.

Model Selector and Specifications

Models

HK	Function	Housing	Conduit/Connectors	Features
30	SST Sensors Normally Open	7 Stainless Steel	7 1/2" NPT	SR Red LED SG Green LED
31	SST Sensors Normally Closed		8 3-Pin Mini-Connector in Stainless Steel	
50	(1) 3 wire PNP Normally Open			
51	(1) 3 wire PNP Normally Closed			
60	(1) 3 wire NPN Normally Open			
61	(1) 3 wire NPN Normally Closed			

Specifications

Materials of Construction

Housing and Fasteners	316 Stainless Steel
Sensing Head	Lexan® Polycarbonate
LED Lens	Polycarbonate
Potting Material	Two-Part Epoxy

Other Specifications

Conduit Connection	1/2" NPT
Wiring	36" (0.9 meter) length, 18 gauge multi-strand
Sensing Distance	4mm* (0.16 inches)
Temperature Range	-40° to 82° C (-40° to 180° F)
Warranty	Five Years

* sensing distance will vary depending on target material.

Ratings and Approvals

Enclosure Protection	NEMA 4, 4X & 6; IP 67
Nonincendive	Class I, Div. 2 Groups A,B,C,D (applies to Function 30 & 31 with 1/2" NPT)
Intrinsically Safe	Class I, II, III, All Groups Div. 1 (applies to Function 30 & 31 with 1/2" NPT)

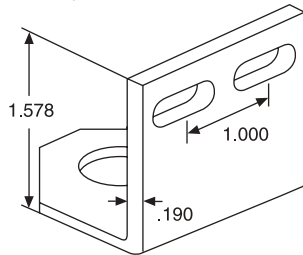
Electrical Ratings

Voltage	8 to 125 VDC, 24 to 125 VAC
Max. Continuous Current	0.3 Amp @ Rated Voltage
Maximum Inrush Current	2.0 Amps
Min. Current	2.0 milliamps
Max. Leakage Current	0.25 mA
Max. Voltage Drop	6.5V @ 10 mA 7.5V @ 100 mA



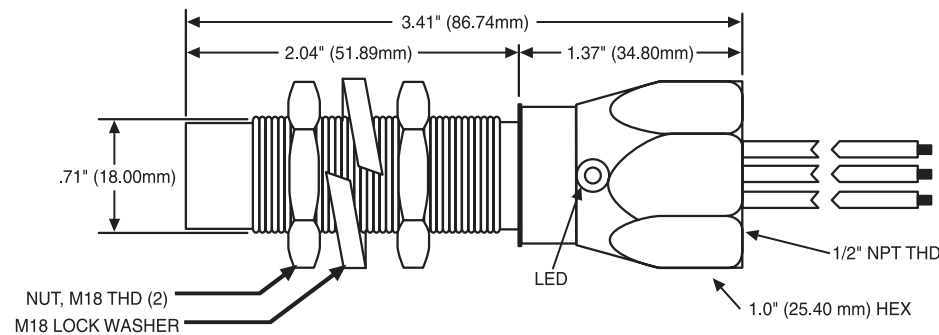
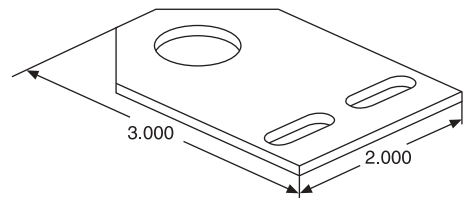
Dimensions (mm)

Adaptor L Bracket
Model Number 425552
Dimensions



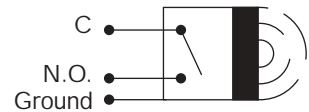
Adaptor Straight Bracket

Model Number 425551
Dimensions



Wiring Diagrams

Normally Open (Function 30)



Normally Closed (Function 31)

