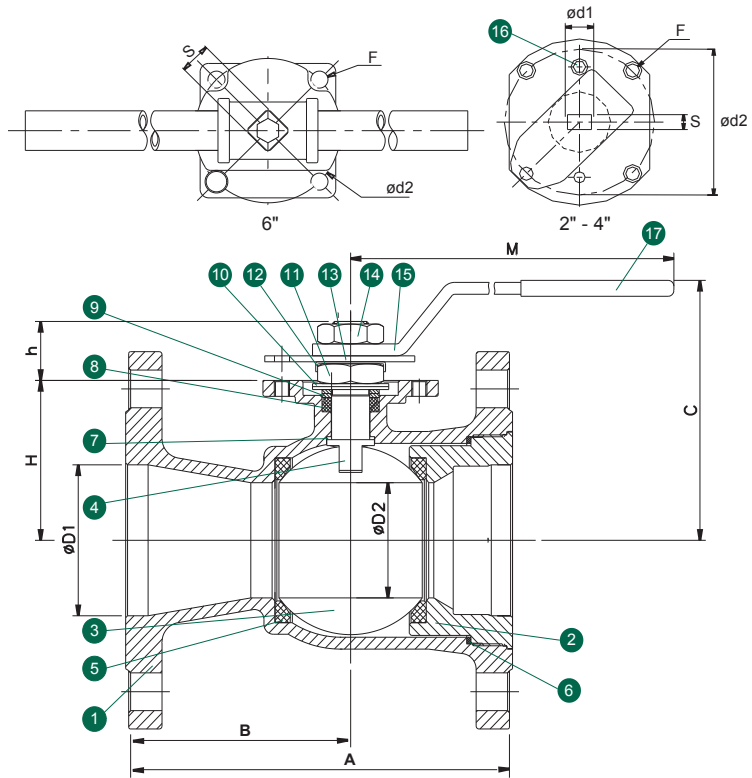




Valve Components			
#	Part Name	Material	Qty.
1	Body	A351 Gr. CF8M	1
2	Insert	A351 Gr. CF8M	1
3	Ball	316SS	1
4	Stem	316SS	1
5	Seat	RTFE (15% C.F.)	2
6	Body Seal	PTFE	1
7	Thrust Washer	PEEK	1
8	Stem Packing Set	PTFE	1
9	Packing Gland	304SS	1
10	Belleville Washer	301SS	2
11	Gland Nut	304SS	1
12	Gland Nut Lock Washer	304SS	1
13	Stop Plate	304SS	1
14*	Handle Nut	304SS	1
15*	Handle	304SS	1
16	Stop Pin	304SS	1
17*	Handle Cover	Vinyl	1

\* 6" uses a T-Handle made of carbon steel.



Dimensions (Inches)													
Size	A	B	C	D1	D2	d1	d2	F	M	H	h	S	Weight (lbs)
2"	7.00	2.95	4.00	2.00	1.50	0.70	2.76	M8	10.0	2.20	1.18	0.381	13.0
3"	8.00	3.35	5.15	3.00	2.50	0.78	4.02	M10	12.3	3.17	1.12	0.472	31.0
4"	9.00	3.75	6.70	4.00	3.00	0.78	4.02	M10	12.3	3.65	1.12	0.472	47.0
6"	10.50	4.13	7.10	6.00	4.00	0.87**	4.02	M10	8.25	4.50	1.50	0.866	76.0

\*\* 6" uses a square stem. See dimension S.

## 109S Ordering Information

Example: 2" Standard Port Ball Valve, Actuator Mounting Pad with Lever Handle and Locking Device, 316SS Body and Trim, RTFE (15% C.F.) Seats, PTFE Seals, ANSI 150# Flanged Ends

Valve Series	Valve Size		Body and Trim Material	Seat	Seal	End Connection
109S - Standard Port	20	2"	6 - A351 Gr. CF8M Body (316) A351 Gr. CF8M Trim (316)	C - RTFE (15% C.F.) S - Carbon, Carbon Fiber, Ekonol Filled PTFE	T - PTFE G - Grafoil	A - ANSI 150# Flanged
	30	3"				
	40	4"	2 - A216 Gr. WCB Body A351 Gr. CF8M Trim (316)			
	60	6"				

Due to continuous product development, information may change without notice.



**INLINE INDUSTRIES, INC.**

4701-A Littlejohn Street  
Baldwin Park, CA 91706  
Tel: (626) 813-6188  
Fax: (626) 813-6186  
[www.ballvalve.com](http://www.ballvalve.com)  
[info@ballvalve.com](mailto:info@ballvalve.com)

Distributed by: